



Colt 1911
Self loading pistol
Cal. .22 L.R.



USA



! WARNING: READ THE INSTRUCTIONS AND WARNINGS IN THIS MANUAL CAREFULLY BEFORE USING THIS FIREARM.

MADE BY CARL WALTHER

OPERATING INSTRUCTIONS





| No. | Contents | Page |
|-----|--|---------|
| | Identification | 1 |
| | Safety Rules | 3 - 9 |
| 1 | Safety Operating Instructions | 10 - 11 |
| 2 | Inspection | 12 - 13 |
| 3 | Loading the Pistol | 13 - 14 |
| 4 | Loading the chamber with the first cartridge | 14 |
| 5 | Firing | 15 |
| 6 | Pistol with Empty Magazine | 16 |
| 7 | Unloading | 17 |
| 8 | Clearing Misfires | 17 |
| 9 | Setting of the Sight / Gold Cup | 18 |
| 10 | Field Stripping | 19 |
| 11 | Cleaning | 20 |
| 12 | Storage | 21 |
| 13 | Repair | 21 |
| 14 | Warranty | 22 |
| 15 | Technical Data | 23 |
| 16 | Variants and Accessories | 24 |
| | | |
| | Contact | back |
| | | |





YOUR SAFETY RESPONSIBILITY



SAFETY IS YOUR NUMBER ONE RESPONSIBILITY!

AT HOME, IN THE FIELD, AT THE RANGE, OR ANYWHERE, THE FIRST CONCERN OF EVERY FIREARM OWNER SHOULD BE SAFETY. APPLY THE FOLLOWING SAFETY RULES IN EVERY SITUATION, WITH ANY KIND OF FIREARM.

! WARNING: YOU MUST FOLLOW ALL OF THESE SAFETY RULES TO ENSURE THE SAFE USE OF YOUR FIREARM

! WARNING: SAFE GUN HANDLING IS YOUR PERSONAL RESPONSIBILITY!

! WARNING: SAFE USE OF A FIREARM IS YOUR PERSONAL RESPONSIBILITY AND THE FAILURE TO FOLLOW ALL OF THESE BASIC SAFETY RULES MAY RESULT IN SEVERE PERSONAL INJURY OR DEATH TO YOU OR OTHERS. YOU ARE THE MOST IMPORTANT SAFETY DEVICE WHEN IT COMES TO THE USE OF YOUR FIREARM. CARL WALTHER GMBH AND WALTHER ARMS WILL NOT BE RESPONSIBLE FOR ANY PERSONAL INJURY, DEATH OR PROPERTY DAMAGE THAT RESULTS FROM:

- (1) THE CRIMINAL OR NEGLIGENT USE OF THIS FIREARM;
- (2) A DISREGARD OF THESE SAFETY INSTRUCTIONS AND WARNINGS;
- (3) IMPROPER OR CARELESS HANDLING OF THIS FIREARM;
- (4) THE USE OF NON-STANDARD, DEFECTIVE, IMPROPER OR RELOADED AMMUNITION; OR
- (5) IMPROPER OR NEGLIGENT MODIFICATIONS OR REPAIR TO THE FIREARM.

SAFE GUN HANDLING IS YOUR PERSONAL RESPONSIBILITY AT ALL TIMES.

Firearms are dangerous and can cause serious injury or death if they are misused or used inappropriately. Safety must be the first consideration of anyone who owns or handles firearms.

YOU ARE RESPONSIBLE FOR FIREARM SAFETY AT ALL TIMES.

You must undertake full-time responsibility for your firearm's safety and security. You must protect yourself and all others against injury or death from misuse of the firearm.

SAFE FIREARM STORAGE IS YOUR RESPONSIBILITY.

You must secure firearms safely from children and unauthorized users. A lock has been provided for use with this firearm. Never assume that the use of this lock is sufficient to safely secure your firearm. You must always evaluate your personal situation and employ the security system(s) that meet your needs and prevents children and unauthorized users from gaining access to your firearm.





- Accidents are the result of violating the rules of safe gun handling and common sense.
- For your safety and the safety of others, **NEVER RELY ON MECHANICAL FEATURES ALONE.** Only your safe gun handling habits will ensure the safe use of the firearm. This is your responsibility.
- **NEVER KEEP AMMUNITION IN THE SAME LOCATION AS THE FIREARM.**
Store in a separate and secure place.
- **DO NOT ALTER, MODIFY OR REPLACE ANY OF THE PARTS OF THE INTERNAL COMPONENTS OF YOUR FIREARM**
All work must be performed by a qualified gunsmith. If you do otherwise, improper functioning may occur and serious injury may result.
- **NEVER MANIPULATE, ADJUST OR CHANGE ANY OF THE INTERNAL COMPONENTS OF YOUR FIREARM**
Improper manipulation of any internal component may affect the safety and reliability of your firearm and may cause serious injury.
- **READ AND UNDERSTAND THESE INSTRUCTIONS BEFORE USING YOUR FIREARM**

**WARNING:**

THE FAILURE TO FOLLOW THESE BASIC FIREARM SAFETY RULES MAY RESULT IN AN UNINTENDED DISCHARGE, WHICH COULD CAUSE SERIOUS PERSONAL INJURY OR DEATH TO YOU AND OTHERS.

- **BEFORE HANDLING ANY FIREARM, UNDERSTAND ITS OPERATION.**
Not all firearms are the same. Familiarize yourself with the mechanical features of any firearm you intend to use. If you feel uncertain about any operational aspects of your firearm, please contact WALTHER ARMS before proceeding with its operation.
- **ALWAYS SAFELY STORE AND SECURE YOUR FIREARM.**
Safe and secure storage of your firearm is one of the most important responsibilities of firearm ownership. It is a full-time responsibility. You must always secure your firearm and ammunition separately so that they are not accessible to children or other unauthorized persons. (See Safe Storage Instructions in this manual).
- **ALWAYS KEEP YOUR FIREARM POINTED IN A SAFE DIRECTION.**
NEVER point this firearm at any person. Never point at anything you do not intend to shoot whether or not the firearm is loaded. This is particularly important when loading, unloading, or field stripping the gun. ALWAYS control the direction of the muzzle.
- **NEVER PLACE YOUR FINGER ON THE TRIGGER OR INSIDE THE TRIGGER GUARD UNLESS YOU INTEND TO FIRE.**
Ensure that other objects do not touch the trigger.
- **ALWAYS BE SURE OF YOUR TARGET AND WHAT IS BEYOND IT.**
Always be sure of where the bullet will strike and shoot only where there is a safe backstop free of obstructions, water or other surfaces which can cause ricochets. Think of what the bullet may hit if it misses the target or ricochets. Do not fire into the sky.





NEVER DISASSEMBLE YOUR FIREARM OR MANIPULATE THE INTERNAL COMPONENTS OF YOUR FIREARM

beyond the field stripping procedure outlined in this manual. Improper disassembly or manipulation of your firearm may be dangerous and can lead to serious injury or death.

NEVER STORE A FIREARM with the hammer or striker in the cocked position.

NEVER ALLOW YOUR FIREARM TO BE USED BY INDIVIDUALS WHO HAVE NOT READ OR DO NOT UNDERSTAND THESE FIREARM SAFETY RULES

BE SURE ALL ACCESSORIES, SUCH AS HOLSTERS AND GRIPS, ARE COMPATIBLE

with the firearm and that the accessories do not interfere with the safe operation.

ALWAYS USE THE CORRECT AMMUNITION FOR YOUR PARTICULAR FIREARM

as indicated by the marking on the barrel or receiver. Never use non-standard, reloaded, or “handloaded” ammunition which has not been subjected to internal ballistic pressure testing.

ALWAYS HAVE ADEQUATE VENTILATION.

Discharging firearms in poorly ventilated areas, cleaning firearms, or handling ammunition may result in exposure to lead and other substances known to cause birth defects, reproductive harm, and other serious physical injury. Review the warnings and labels for all ammunition and cleaning products carefully.

NEVER USE ALCOHOL OR DRUGS BEFORE OR WHILE SHOOTING.

Do not use your firearm if you are on any medication which impairs, even slightly, your mental and/or physical ability.

ALWAYS WEAR EYE AND HEARING PROTECTION SPECIFIED FOR FIREARM USE

every time you discharge your firearm. Make sure others in the vicinity of where you will be shooting wear protection as well.

NEVER ALLOW ANY ALTERATION OR REPLACEMENT OF PARTS IN YOUR FIREARM UNLESS PERFORMED BY A QUALIFIED GUNSMITH.

If you do otherwise, improper functioning of your firearm may occur and serious injury or death may result.

NEVER CROSS OBSTACLES SUCH AS FENCES OR STREAMS WITH A LOADED FIREARM.

Firearm safety training is available. Contact your dealer, law enforcement agency, local sportman’s club, or the NRA for availability.

APPROPRIATE USE FOR YOUR FIREARM MEANS USING YOUR FIREARM FOR LEGAL PURPOSES.

SAFE STORAGE & TRANSPORTATION



WARNING:

SAFE AND SECURE STORAGE OF YOUR FIREARM IS ONE OF THE MOST IMPORTANT RULES OF FIREARM SAFETY. YOUR FAILURE TO FOLLOW THESE RULES MAY RESULT IN SERIOUS INJURY OR DEATH TO YOU OR OTHERS.

YOUR SAFETY RESPONSIBILITY





- You must always secure your firearm and ammunition separately so that they are not accessible to children or other unauthorized persons.
- Safe and secure storage and transportation of your firearm is your responsibility. It is a full-time responsibility.

YOU SHOULD ALWAYS SECURE YOUR FIREARM IN A MANNER THAT WILL PREVENT UNAUTHORIZED ACCESS. ALWAYS STORE YOUR FIREARM UNLOADED.

Your firearm and ammunition should be stored separately and in a manner inaccessible to children and unauthorized persons.

ALWAYS MAKE CERTAIN THAT YOUR FIREARM IS SAFELY SECURED IN A MANNER SO AS TO PREVENT UNAUTHORIZED ACCESS TO THE FIREARM. CARL WALTHER HAS PROVIDED A LOCK FOR THIS PURPOSE.

Please read and follow the instructions for the use of this lock. There are other alternative locks and safe storage containers available in the marketplace which may be appropriate for your particular needs. Consult your local gunshop, hardware store or local police department for guidance on the variety of other safe storage devices or practices which may be appropriate for your particular needs. By purchasing this firearm you have taken on the responsibility of safely securing the firearm at all times and preventing its unauthorized use. Never assume that the use of only a lock is sufficient to safely secure your firearm. It is your personal responsibility to select and use whatever measure or practices that will best enable you to be absolutely certain that your firearm is secure at all times.

You are responsible to determine which devices or practices are appropriate for the safe storage of your firearm and your ammunition.

! WARNING: NEVER LOCK A LOADED FIREARM AND NEVER LOAD A LOCKED FIREARM

- **NEVER ASSUME THAT A "HIDING" PLACE IS A SECURE STORAGE METHOD.**
Others may be aware of your storage location or come upon it by chance. It is your personal responsibility to use common sense when storing and securing your firearm and ammunition and to always make sure that it is not accessible to children or other unauthorized persons. Always make sure your firearm is unloaded before storing.
- **ALWAYS FOLLOW THE LAW!!**
You must be familiar with all local, state, and federal laws regarding the safe discharge, storage and transportation of your firearm. Failure to know and follow the law may result in unauthorized access or use of your firearm by another. Obey all laws relating to the storage and transportation of firearms. Your local police department or gun shop will furnish you with available information on storing and/or transporting a firearm legally.
- **NEVER TRANSPORT A LOADED FIREARM.**
When transporting your firearm, be sure it is unloaded and the slide or action is open.
- **YOUR FIREARM IS YOUR RESPONSIBILITY.**
Protect your firearm from theft or misuse by untrained or unqualified individuals.



PREPARATION FOR FIRING



WARNING:

THE FAILURE TO FOLLOW THESE FIREARM SAFETY REQUIREMENTS WILL CAUSE SERIOUS INJURY OR DEATH TO YOU OR OTHERS.

- **ALWAYS WEAR ADEQUATE AND PROPER EAR PROTECTION SPECIFIED FOR FIREARM USE**
to prevent permanent damage to your hearing. Make sure others who are nearby are wearing ear protection as well.
- **ALWAYS WEAR SAFETY GLASSES SPECIFIED FOR FIREARM USE**, whether indoors or out. Safety glasses should protect your eyes from the firing flash and particles associated with the discharge of ammunition. Failure to do so creates a risk of personal injury from particle or debris ejection or ricochets.
- **NEVER SHOOT AT HARD SURFACES, WATER OR UP INTO THE SKY.**
Always select a place to shoot that has a safe backstop and is free from obstruction and water surfaces which cause ricochets.
- **ALWAYS BE AWARE OF PEOPLE AROUND YOU** so that persons cannot accidentally walk into the line of fire.
- **ALWAYS POSITION THE SHOOTER SO THAT ALL OTHERS ARE OUT OF THE LINE OF FIRE**
and are not within an area where they may be struck by ricochets, or by ejected cases from other types of firearms.
- **ALWAYS KEEP FINGERS AND OTHER PARTS OF YOUR BODY AWAY FROM THE MUZZLE AND AWAY FROM THE FIREARM SLIDE AND EJECTION PORT.**
- **ALWAYS BE ALERT AND ALWAYS FOLLOW THE SAFETY INSTRUCTIONS OF FIRING RANGE OFFICER.**
- **ALWAYS BE SURE THAT ALL ACTIONS OF FIREARMS ARE OPEN, THAT CHAMBERS ARE CLEAR OF AMMUNITION, MAGAZINES ARE REMOVED, AND THE FIREARM IS POINTING IN A SAFE DIRECTION.**
- **ALWAYS BE ALERT.**
Never shoot if you are tired, cold or impaired in any way.
 - **ALWAYS TREAT YOUR FIREARM AS IF IT WERE LOADED.**
 - **NEVER USE ALCOHOL OR DRUGS BEFORE OR WHILE SHOOTING.**



AMMUNITION

A GENERAL PRINCIPLES

- There are different types of ammunition for different types of firearms. Your firearm has been designed for ammunition of a specific type and a specific caliber. It is important to select the proper ammunition for your firearm.

! WARNING: NEVER USE AMMUNITION NOT SPECIFICALLY DESIGNATED FOR USE IN YOUR FIREARM. FAILURE TO USE THE CORRECT TYPE OR CALIBER OF AMMUNITION MAY CAUSE THE FIREARM TO JAM, FAIL TO FIRE OR EVEN GENERATE EXCESSIVE PRESSURE WHICH CAN DAMAGE OR EVEN RUPTURE YOUR FIREARM, CAUSING PERSONAL INJURY, DEATH OR PROPERTY DAMAGE.

- You are responsible for selecting ammunition that meets industry standards and is appropriate in type and caliber for this firearm.
- Locate the caliber designation marked on the left side of the lower receiver. This information indicates the ammunition caliber that should be used in this firearm.

B HANDLOADED OR RELOADED AMMUNITION

! WARNING: NEVER USE NON-STANDARD, RELOADED OR "HANDLOADED" AMMUNITION WHICH HAS NOT BEEN SUBJECTED TO INTERNAL BALLISTIC PRESSURE TESTING. RELOADED OR HANDLOADED AMMUNITION MAY HAVE MANY MANUFACTURING AND QUALITY VARIABLES (SUCH AS THE TYPE AND AMOUNT OF GUN POWDER). ANY AMMUNITION THAT IS IMPROPERLY MANUFACTURED, EVEN IN THE SLIGHTEST DEGREE, MAY FAIL TO FIRE OR MAY GENERATE EXCESSIVE INTERNAL PRESSURES WHICH CAN DAMAGE OR EVEN RUPTURE THE FIREARM, CAUSING PERSONAL INJURY OR DEATH TO THE SHOOTER OR THOSE IN THE IMMEDIATE VICINITY.

- Use only commercially manufactured ammunition with internal ballistic pressure which is in strict accordance with the specifications of the Sporting Arms and Ammunition Manufacturers' Institute (SAAMI). If you are uncertain, contact your ammunition supplier for verification.





C AMMUNITION SPECIFICS

- Use only ammunition specifically recommended for your firearm.
- Never mix ammunition.
- Never use a cartridge not specifically designated for use in your firearm.
- Pressure from the wrong type of ammunition may exceed the capability of your firearm and may damage or even rupture your firearm.
- In some cases, a round of ammunition not specified on your firearm may fit into the chamber. Firing ammunition not specified on your firearm may cause it to rupture and cause serious injury or death to you or others.
- Always inspect your ammunition before using it. Never use dirty, corroded or damaged ammunition which can lead to a burst cartridge and may cause damage to the firearm and personal injury or death.

! WARNING: .22 L.R. CALIBER CARTRIDGES HAVE A WIDE RANGE OF LOADS, FROM LOW VELOCITY FOR SPORT SHOOTING AND MAXIMUM PRECISION TO VERY POWERFUL FOR A HIGH PROJECTILE VELOCITY. TO ENSURE RELIABLE OPERATION, A SEMI-AUTOMATIC FIREARM MUST BE MATCHED TO A CERTAIN CARTRIDGE LOAD. FOR THIS REASON THE CAL. .22 L.R. COLT 1911 HAS BEEN DESIGNED FOR HIGH-QUALITY STANDARD AMMUNITION AND HV (HIGH VELOCITY) AMMUNITION, AND ONE CAN BE SURE OF TROUBLE-FREE OPERATION ONLY WITH THESE TYPES. PLEASE NOTE THAT THESE PISTOLS ARE NOT DESIGNED FOR THE USE OF CAL. .22 EXTRA LONG AMMUNITION.





! WARNING: ALWAYS LEAVE THE MANUAL SAFETY ENGAGED (ON "SAFE") UNTIL YOU INTEND TO FIRE.

1.1 Manual Safety

SAFE POSITION - turn the safety lever up (fig. 1).

FIRE POSITION - turn the safety lever down (fig. 2).

The safety lever can only be turned on to SAFE when the hammer is in the cocked position. The manual safety blocks the trigger, hammer and the slide.

1.2 Grip safety

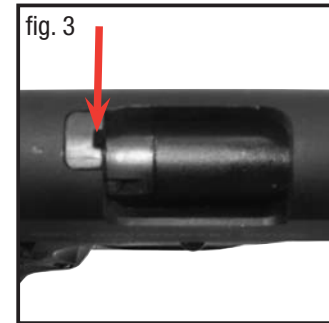
The grip safety blocks the trigger. Only if you push the grip safety into the receiver with your shooting hand, are you able to move the trigger and FIRE a shot.





1.3 Loaded chamber indicator

A small slot in the upper part of the slide allows inspection of the chamber to see if a cartridge has been loaded (fig 3).



! WARNING: ALL SAFETY DEVICES OF THE WEAPON ARE MECHANICAL SAFETIES, AND THE SHOOTER IS THE ONLY ONE WHO CAN ENGAGE AND DISENGAGE THESE SAFETIES. NEVER RELY SOLELY ON MECHANICAL SAFETIES - ALWAYS BE EXTREMELY CAREFUL AND AVOID SITUATIONS WHICH COULD LEAD TO AN ACCIDENT.

! WARNING: NEVER RELY SOLELY ON MECHANICAL FEATURES ALONE - ALWAYS BE EXTREMELY CAREFUL, USE SAFE GUN HANDLING PRACTICES, AND AVOID SITUATIONS WHICH COULD LEAD TO AN ACCIDENT.

! WARNING: ALWAYS INSPECT THE CHAMBER OF YOUR FIREARM AFTER THE MAGAZINE HAS BEEN REMOVED FROM THE GUN. MAKE SURE THAT NO CARTRIDGE IS LEFT IN THE CHAMBER.



2 Inspection

! WARNING: BEFORE LOADING, MAKE SURE THAT THE FIREARM IS POINTED IN A SAFE DIRECTION, IS ON SAFE, AND IS UNLOADED (MAGAZINE REMOVED, CHAMBER CLEARED, EMPTY CHAMBER FLAG (BLUE) IS INSTALLED, AND BARREL CLEAR OF ANY OBSTRUCTIONS).

! WARNING: NEVER PUT YOUR HAND IN FRONT OF THE MUZZLE.

Functional inspection

1. Check to make sure the chamber and magazine are empty. Remove the magazine, retract the slide.
After the slide has been released, the recoil spring will return the slide fully forward into battery.
2. Insert the empty magazine, retract the slide. The slide should be locked back in its rearmost position by the slide stop lever.
3. Remove the magazine, pull the slide back slightly and release the slide. After the slide has been released, the recoil spring should return the slide fully forward into battery.
4. Pick up the firearm with your shooting hand and point the muzzle in a safe direction, but do not push the grip safety into the receiver with your hand. Try to pull the trigger, it must be locked.
5. To decock the pistol, (check to make sure the chamber are empty), push the grip safety into the receiver with your shooting hand, hold the hammer with the thumb of your other hand, pull the trigger and let the hammer slowly travel forward (fig. 4).

! WARNING: KEEP THE FIREARM POINTED IN A SAFE DIRECTION WHEN DECOCKING.
FAILURE TO DO THIS CAN RESULT IN SERIOUS INJURY OR DEATH.



fig. 4



2.1 Inspection after use

! WARNING: MAKE SURE THAT THE PISTOL IS UNLOADED (CHAMBER AND BARREL MUST BE CLEAR) AFTER USE, THAT THE MAGAZINE IS EMPTY. POINT MUZZLE IN A SAFE DIRECTION AND DECOCK THE HAMMER. INSTALL THE EMPTY CHAMBER FLAG (BLUE).

3 Loading the Pistol

! WARNING: BEFORE LOADING, MAKE SURE THAT THE PISTOL IS ALWAYS POINTED IN A SAFE DIRECTION, AND IS UNLOADED (MAGAZINE REMOVED, CHAMBER CLEARED, EMPTY CHAMBER FLAG (BLUE) IS INSTALLED, AND BARREL CLEAR OF ANY OBSTRUCTIONS).



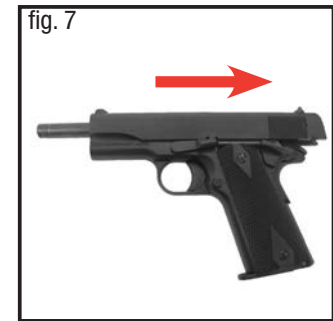
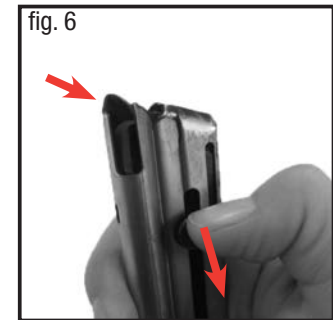


Press magazine catch and remove empty magazine (fig. 5).

Use the side-mounted button to push the follower down and insert the cartridge under the magazine lips (fig. 6). Do not use excessive force. Remove empty chamber flag (blue). Insert the loaded magazine until the magazine catch locks it in position. After inserting a magazine, always test to make sure it is locked in place by giving it a firm tap on the bottom of the magazine.

4 Loading the chamber with the first cartridge

Pick up the firearm with your shooting hand and point the muzzle in a safe direction. Use your other hand to retract and release the slide (fig 7). Never put your hand in front of the muzzle. As the slide travels forward it inserts the first round into the chamber. The hammer is now cocked. Rotate the safety in the SAFE position until you are ready to fire.



! WARNING: NEVER PUT YOUR HAND IN FRONT OF THE MUZZLE.

! WARNING: ALWAYS LOAD A ROUND INTO THE CHAMBER BY FEEDING IT FROM THE MAGAZINE. FAILURE TO FOLLOW THIS WARNING CAN RESULT IN SEVERE INJURY OR DEATH TO YOU OR OTHERS. NEVER ATTEMPT TO LOAD THE FIREARM BY INSERTING A ROUND INTO THE OPEN EJECTION PORT.



! WARNING: THE COLT 1911 CAL. .22 L.R. IS DESIGNED SO IT IS ABLE TO FIRE WHEN THE MAGAZINE IS REMOVED. THEREFORE, IF THE MAGAZINE IS REMOVED FROM THE FIREARM AND THERE IS A LOADED ROUND IN THE CHAMBER, IT WILL FIRE IF THE TRIGGER IS PULLED.



5 Firing

The Colt 1911 is Single Action only.

- Keep muzzle pointed in a safe direction and your finger outside the trigger guard, place the manual safety in the fire position (fig 8), push the grip safety into the receiver, the first shot may be fired when so desired.
- As the trigger is pulled fully to the rear, the hammer is released to strike the firing pin. Upon firing, the slide moves rearward thereby extracting and ejecting the spent cartridge case and rotating the hammer to the fully cocked position.
- The slide then returns forward feeding the next cartridge from the magazine to the barrel chamber. The hammer remains in the cocked position so that subsequent shots will be fired in the single action mode. This sequence can be repeated until the last round has been fired at which time the magazine follower exerts upward pressure on the slide stop causing it to engage the slide and hold it in the open position.

! WARNING: YOUR FIREARM IS NOW READY TO FIRE. KEEP YOUR FINGER OFF THE TRIGGER AND OUT OF THE TRIGGER GUARD UNTIL YOU ARE READY TO FIRE.



6 Pistol with Empty Magazine

After the last round has been fired, the slide stop holds the slide in the open position (fig. 9).

Continue shooting - Replace the empty magazine with a full one. Pull slide rearward and release, the slide will travel forward and load the chamber with the first round. Keep your firearm in your shooting hand, finger off the trigger and the firearm pointed in a safe direction so that there is no danger to other persons.

Discontinue shooting - Remove magazine and inspect the chamber to verify it does not contain any ammunition (fig. 20). Close the slide and rotate the safety lever to safe position.

fig. 9





7 Unloading

Point the muzzle in a safe direction. Remove the magazine. Ensure that the chamber is empty by pulling back the slide to visually inspect the chamber (fig. 20). Place empty chamber flag (blue) into the empty chamber (fig. 21). Keep firearm pointed in a safe direction.

Push the grip safety into the receiver with your shooting hand, hold the hammer with the thumb of your other hand, pull the trigger and let the hammer slowly travel forward.

! WARNING: KEEP THE FIREARM POINTED IN A SAFE DIRECTION WHEN DECOCKING. FAILURE TO DO THIS CAN RESULT IN SERIOUS INJURY OR DEATH.

8 Clearing Misfires

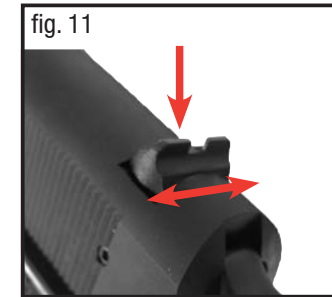
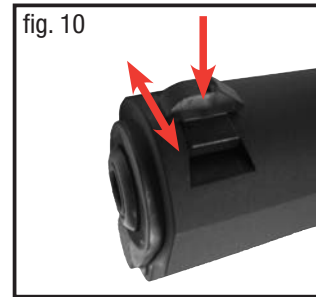
- If a cartridge fails to fire, wait 30 seconds while keeping the muzzle pointed in a safe direction.
- Remove the magazine.
- Keep your finger off the trigger and out of the trigger guard.
- Grasp the slide and briskly pull it fully rearward to eject the misfired round. Check the barrel chamber and bore for any obstructions by passing a cleaning rod from muzzle to ejection port. Never look down the barrel from the muzzle end.
- You must be certain there are no cartridges in the chamber or obstructions in the barrel. Remember that any time you release the slide while a magazine containing cartridges is in the firearm, you will have reloaded the firearm and it will be capable of firing.





9 Setting of the Sight

The **windage** can be adjusted at both the front and rear sights. To do so, loosen the set screw at each of these places and move the front/rear sight to the right or left (fig. 10 - 11).



9.1 Gold Cup

The **elevation** is adjusted using a screw on the top, on the rear sight. Turning the screw allows it to be adjusted in height with engagement steps (fig. 12):

If the pistol shoots too high: turn the screw clockwise

If the pistol shoots too low: turn the screw counter-clockwise



The **windage** is adjusted using a screw using a screw on the side of the rear sight. Turning the screw allows it to be adjusted in position with engagement steps (fig. 13):

If to gun shoots to the right: turn the screw counter-clockwise

If the gun shoots to the left: turn the screw clockwise



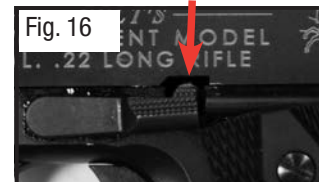
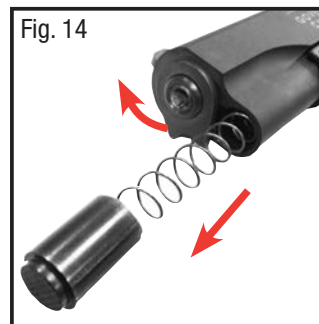
10 Field Stripping

! WARNING: ALWAYS FOLLOW THE DISASSEMBLY INSTRUCTIONS EXACTLY. NEVER DO ANYTHING BEYOND WHAT YOU ARE SPECIFICALLY INSTRUCTED TO DO IN THIS MANUAL. NEVER ALTER OR MODIFY THE PARTS IN YOUR FIREARM.

! WARNING: ALWAYS WEAR EYE PROTECTION THAT IS SPECIFIED FOR USE WITH FIREARMS EVERY TIME YOU HANDLE YOUR FIREARM FOR CLEANING AND MAINTENANCE.

! WARNING: PRIOR TO DISASSEMBLY, TAKE OUT THE MAGAZINE AND CHECK THAT THE PISTOL IS NOT LOADED.

To remove the slide, push in the recoil spring plug and turn the barrel bushing clockwise to the side. The freed recoil spring plug and the recoil spring will now come out (fig. 14). Turn the barrel bushing by about 120° counter clock wise and slide it out forwards (fig. 15). Pull back the slide until the slide stop lever and slot are next to each other (Fig. 16). Push out the pin from the right using a pointed tool (Fig. 16a). Then pull out the slide stop lever sideways (Fig. 16b). Make sure that the slide stop lever comes out straight. The slide can now be retracted, lifted, and removed towards the front (fig 17). To assemble, reverse the steps.



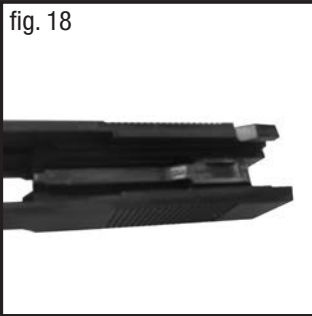


11 Cleaning

In order to keep the firearm functional and to extend its service life, the firearm should be cleaned and maintained at regular intervals.

! WARNING: BEFORE CLEANING, MAKE SURE THAT THE PISTOL IS POINTED IN A SAFE DIRECTION, IS ON SAFE , AND IS UNLOADED (MAGAZINE REMOVED, CHAMBER CLEARED, EMPTY CHAMBER FLAG (BLUE) IS INSTALLED, AND BARREL CLEAR OF ANY OBSTRUCTIONS).

- Verify that the grip safety isn't pushed into the receiver
- Insert EMPTY magazine and retract slide so it remains in open position.
- Remove magazine.
- Visually inspect to verify that no ammo remains anywhere in the pistol.
- Remove slide as described in chapter 11 (Field stripping).
- Remove fouling from breech, magazine lips, follower and receiver with a brush and a cloth (fig. 18 - 19).
- Clean the barrel with an appropriate gun cleaning solvent and then dry it with cleaning patches; always begin at the chamber. Repeat until barrel is clean.
- Apply a thin coat of oil to all metal parts. Reassemble pistol and check for proper function.

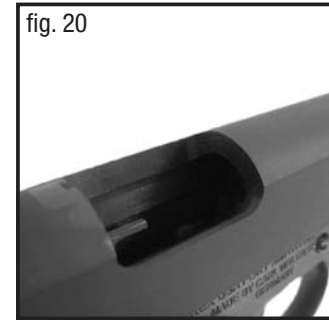




12 Storage

Always keep and store your firearm in an unloaded condition. Keep the firearm and ammunition away from children and unauthorized persons. Firearms should be stored separately from ammunition.

Always store your firearm with the empty chamber flag (blue) in the chamber to make sure no cartridge is loaded (fig. 21)



! WARNING: NEVER LEAVE A LOADED FIREARM UNATTENDED!

13 Repair

Do not return defective or damaged product to the dealer. If your firearm needs repair, call WALTHER ARMS (479) 242-8500 and ask for the Service Department or visit www.Colt22Rimfire.com.

! WARNING: ONLY AN AUTHORIZED AND QUALIFIED GUNSMITH SHOULD INSPECT AND REPAIR YOUR FIREARM!

STORAGE / REPAIR / WARRANTY



14 Warranty

LIMITED ONE YEAR WARRANTY

This product is warranted to the original owner for 1 year from date of purchase against defects in material and workmanship and is not transferable.

WHAT IS COVERED

Replacement parts and labor.

WHAT IS NOT COVERED

Parts, labor, and shipping charges to WALTHER ARMS for defective product and damages caused by abuse or failure to perform normal maintenance as well as any other expense. Consequential damages, or incidental expenses, including damage to property. WALTHER ARMS will not be responsible for unauthorized adjustments or modifications, use of defective or improper ammunition, corrosion, criminal misuse, negligence, resale, and/or use under the influence of drugs or alcohol. Some states do not allow the exclusion or limitation of incidental or consequential damages, so the above limitation or exclusion may not apply to you. WALTHER ARMS reserves the right to determine what constitutes ordinary wear and tear.

WARRANTY CLAIMS

Warranty Claims and Repair for U.S. customers. Call WALTHER ARMS (479)-242-8500 and ask for the Service Department. If it is determined a return is necessary, you will be issued a Return Authorization Number. Write this number boldly on the box and return the product prepaid to WALTHER ARMS. Your name, address, phone number and a note with the model number, serial number, and explanation of the defect found must be included in the package. A copy of the original purchase receipt must accompany the return.

IMPLIED WARRANTIES

Any implied warranties, including the implied warranties of merchantability and fitness for a particular purpose, are limited in duration to 1 year from date of retail purchase. SOME STATES DO NOT ALLOW LIMITATIONS ON HOW LONG AN IMPLIED WARRANTY LASTS, SO THE ABOVE LIMITATIONS MAY NOT APPLY TO YOU. TO THE EXTENT ANY PROVISION OF THIS WARRANTY IS PROHIBITED BY FEDERAL STATE, OR MUNICIPAL LAW WHICH CANNOT BE PREEMPTED, IT SHALL NOT BE APPLICABLE. THIS WARRANTY GIVES YOU SPECIFIC LEGAL RIGHTS, AND YOU MAY ALSO HAVE OTHER RIGHTS WHICH VARY FROM STATE TO STATE AND COUNTRY TO COUNTRY.

UNDER NO CIRCUMSTANCES SHALL WALTHER ARMS BE RESPONSIBLE FOR INCIDENTAL OR CONSEQUENTIAL DAMAGES WITH RESPECT TO ECONOMIC LOSS, INJURY, DEATH OR PROPERTY DAMAGE, WHETHER AS A RESULT OF BREACH OF THIS WARRANTY, NEGLIGENCE OR OTHERWISE.

Note: All liability is excluded in the event that the instructions and warnings in this manual are not observed.

22



SHIPPING GUIDELINES

- Ensure that the firearm is unloaded.
- Do not attempt to ship a firearm via US Postal Service; only federally licensed firearm dealers may ship a firearm by US Postal Service.
- DO NOT SHIP ANY AMMUNITION. WITH OR INSIDE YOUR FIREARM.
- Enclose a letter which includes with or inside your firearm your full name and address (no P.O. Boxes, please), daytime telephone number, e-mail address, the serial number of the firearm, and details of the problem experienced (stating the brand and type of ammunition used when the problem occurred) or work desired.
- Record the serial number before shipping, in case you wish to check on the repair status of your firearm.
- Please remove all custom parts and accessories, such as stocks, special sights and scopes, or slings from your firearm before returning.
- Place the firearm in its original box and then pack it securely within another container to avoid damage.
- The package must NOT bear any markings which indicate the identity of the contents.
- It is recommended that shipments be insured by the owner, since WALTHER ARMS will accept no responsibility for loss or damage in transit.
- It is most important that you comply with federal, state, and local laws and regulations. The following guidelines are meant to help, but you must seek assistance from the appropriate authorities if necessary.
- If your firearm must be replaced, it may be necessary to ship the replacement to a dealer rather than directly to you. You will be requested to furnish a signed FFL (Federal Firearms License) from your dealer in such an instance.

15 Technical Data

| Model | Government | Gold Cup | Rail Gun |
|-------------------------------|---|--|-----------------|
| caliber | .22 L.R. | | |
| action | blowback | | |
| trigger | single action | | |
| magazine capacity | 12 rounds | | |
| dimensions (L/H/W) | 8.7 / 5.5 / 1.4 inch (220 / 140 / 35 mm) | 8.9 / 5.5 / 1.4 inch (225 / 140 / 35 mm) | |
| barrel length | 5 inch (127 mm) | | |
| weight without empty magazine | 2.0 lbs (930 g) | 2.1 lbs (940 g) | 2.1 lbs (950 g) |

23



16 Variants

COLT GOVERNMENT®

- Metal Receiver
- Standard Safety Lever
- Service Style Grip Safety



COLT RAIL GUN®

- Metal Receiver
- Picatinny Rail
- Slide with Front and Rear Serrations
- Open Work Hammer
- Open Work Trigger
- Extended Safety Lever
- Large BeaverTail



COLT GOLD CUP®

- Metal Receiver
- Open Work Hammer
- Open Work Trigger
- Adjustable Target Sight
- Large BeaverTail





NOTES





**Colt 1911 .22 Pistol
made by Carl Walther - Germany
under license from New Colt Holding Corp.**



LICENSED TRADEMARK OF NEW COLT HOLDING CORP.

Distribution and repair service by:



This INSTRUCTION MANUAL should always accompany the firearm and be transferred with it upon change of ownership or when presented to another person.

A copy of the INSTRUCTION MANUAL is available FREE upon request from:

WALTHER ARMS Inc.

www.waltherarms.com

www.colt22rimfire.com

Sales + Warranty Service

7700 Chad Colley Boulevard / Fort Smith, AR 72916 / USA

Phone: 1-479-242-8500

All technical changes and modifications reserved.

8.517.82.01 rev. A
August 2012

